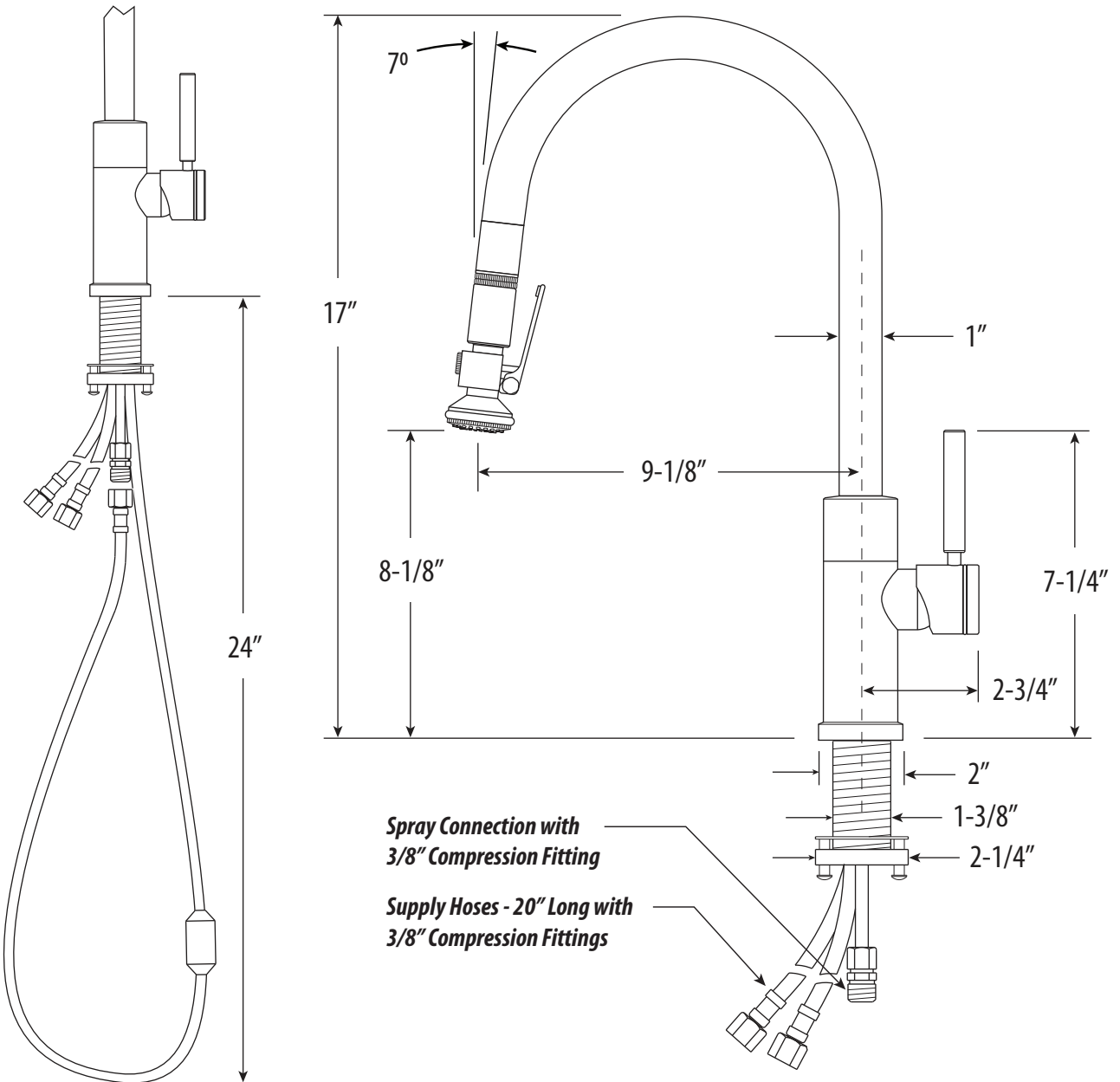


MODERN PLP PULLDOWN FAUCET / ANGLED SPOUT / LEVER SPRAYER

9860

- Max Counter Thickness 2-3/8"
- Minimum Install Hole Size 1-1/2"



DIMENSIONS MAY VARY AND ARE SUBJECT TO CHANGE. NO RESPONSIBILITY IS ASSUMED FOR USE OF SUPERCEDED OR VOIDED DATA

MODERN PLP PULLDOWN FAUCET / ANGLED SPOUT / LEVER SPRAYER

9860



Finish Shown - Polished Nickel

FEATURES

- 7 degree angled spout flows outward towards middle of sink.
- Thin, sleek body design gives a clean and simplistic look.
- "Positive Lock Pulldown" design locks sprayer in place when not in use.
- Spout has 9-1/8" reach and can swivel 360 degrees.
- Lever handle spray head pulls out 18" from spout.
- Counterbalanced weight on spray hose allows smooth pull out and prevents snap back.
- Sprayer instantly diverts water from aerated stream to wide spray when handle is held.
- Spray swivel design is fully insulated against heat.
- 1.75 gpm maximum flow rate with aerated tip.
- Innovative handle tension system prevents sagging.
- When mounted on side, handle can adjust 22.5 degrees for backsplash clearance.
- Hot/cold ceramic disk valve cartridge.
- Resistant to reverse osmosis water.
- Made from solid brass or 316 stainless steel.
- 20" reinforced braided connection hoses with 3/8" compression fitting.
- Includes reversible or removable hot/cold indicator ring.
- Lifetime functional warranty.

CODES/STANDARDS APPLICABLE

Specified model meets or exceeds the following:

- ASME A112.18.1
- CSA B125.1
- NSF 61, 372
- CALGreen



AVAILABLE IN 32 FINISHES + SOLID 316 MARINE GRADE STAINLESS STEEL