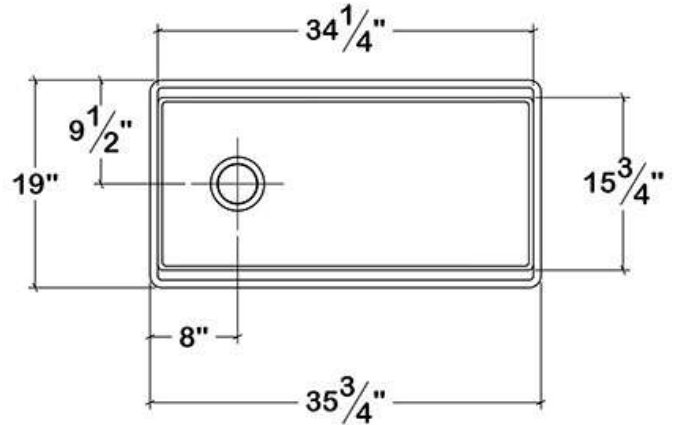


## 093619 | FIRA

UNDERMOUNT WITH APRON FRONT FIRECLAY KITCHEN SINK WITH ACCESSORY LEDGE



### Specifications

|                     |                         |
|---------------------|-------------------------|
| Model               | 093619                  |
| Collection          | Fira                    |
| Bowl dimensions     | 34 1/4" × 15 3/4" × 10" |
| Overall dimensions  | 35 3/4" × 19" × 11 1/2" |
| Recommended cabinet | 39"                     |

### Recommended accessories

|                    |        |
|--------------------|--------|
| Drain              | 100080 |
| Grid (coming soon) | 200941 |
| Colander           | 205038 |
| Bin                | 205039 |
| Tray               | 205041 |
| Cutting board      | 210060 |
| Drying Rack        | 215009 |

### Features

- Designed in Canada
- Integrated accessory ledge to sit full range of accessories
- Includes a 12-3/4" wide solid walnut cutting board
- Reversible apron front design: flat or shaker style
- Deep 10" bowl and 3/4" thick walls for optimized work space
- Product dimensional variability  $\pm 3/16"$ , due to manufacturing process
- Made of fireclay and glazed on all sides, white gloss finish
- Offset center 3-1/2" drain
- Sloped bottom for maximized drainage
- Waste disposal unit compatible, recommended to confirm waste disposal or drain maximal thickness specifications
- No template provided, recommended to have the sink on hand for final sizing of cabinet and countertop
- ASME A112.19.2/CSA B45.1

### Warranty

Home Refinements offers a 1-YEAR LIMITED WARRANTY against manufacturing defects and a 10-YEAR LIMITED WARRANTY on fading/staining issues on its fireclay sinks. For further details on our product warranty, please refer to our catalog or Web site.